

Make:

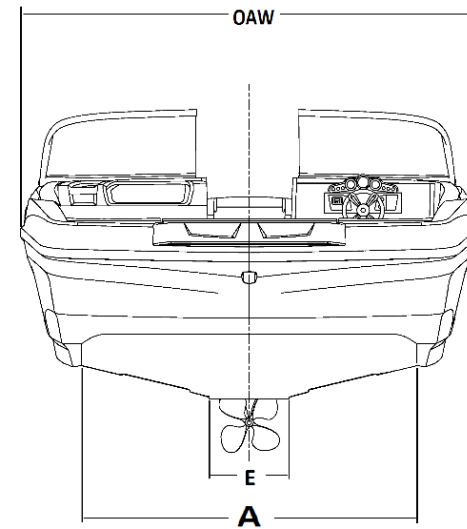
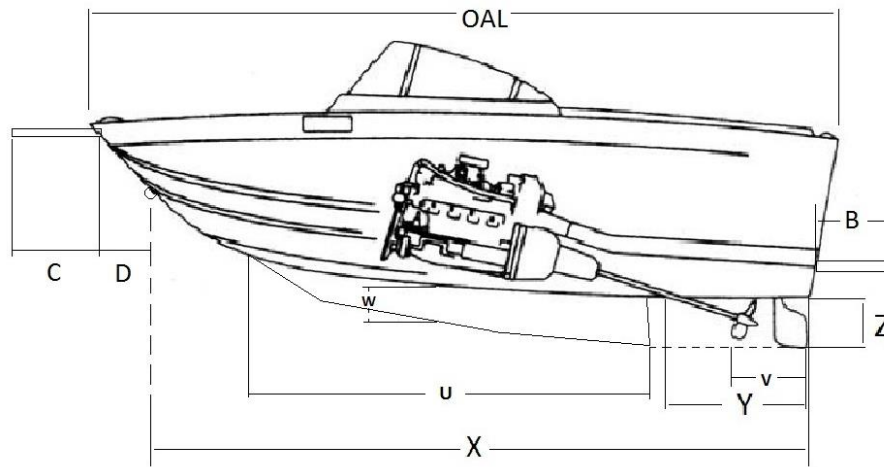
Model:

Dealer:

Date:

VENTURE

Single Prop Inboard Measurement Sheet



OAL	Overall Length	
OAW	Overall Width	
A	Hull Width at Transom (not including chine)	
B	Swim Platform Length (if applicable)	
C	Pulpit to Bow (if applicable)	
D	Bow to Bow Eye (if applicable)	
E	Prop Width (including any other obstructions)	
U	Keel Length (if applicable)	
V	Rudder to Front of	
W	Keel Midpoint Depth (if applicable)	
X	Bow Eye to Transom	
Y	Rudder/Prop/Shaft Length	
Z	Rudder/Prop Depth	