

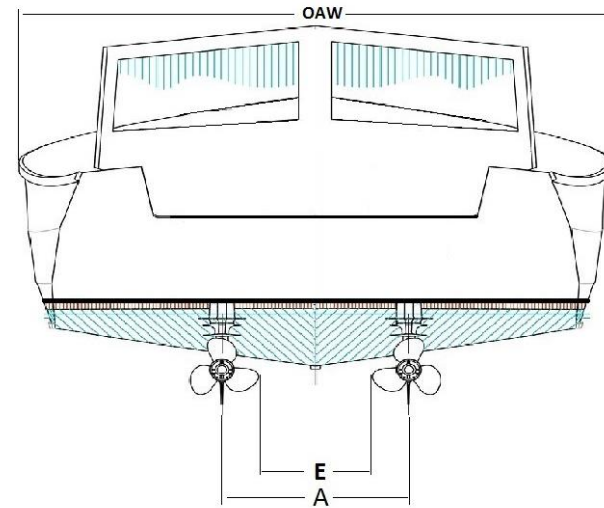
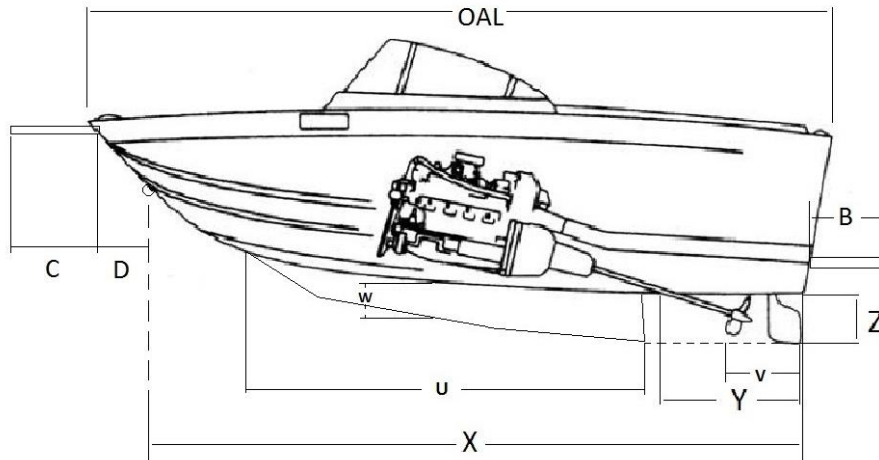
Twin Prop Inboard Measurement Sheet

Make:

Model:

Dealer:

Date:



OAL	Overall Length	
OAW	Overall Width	
A	Center to Center Prop Distance	
B	Swim Platform Length (if applicable)	
C	Pulpit to Bow (if applicable)	
D	Bow to Bow Eye (if applicable)	
E	Inside of Left Prop to Inside of Right Prop	
U	Keel Length (if applicable)	
V	Rudder to Front of	
W	Keel Midpoint Depth (if applicable)	
X	Bow Eye to Transom	
Y	Rudder/Prop/Shaft Length	
Z	Rudder/Prop Depth	